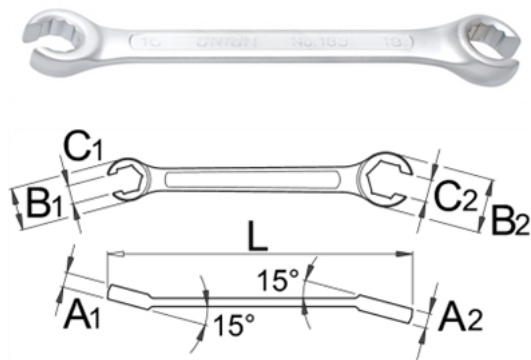


Offset open ring wrench - 183/2



Description

- material: chrome vanadium
- drop forged, entirely hardened and tempered
- surface finish: chrome plated according to EN12540
- profile up to dimension 12x14 is 6 point, from 17x19 to 30x32 is 12 point

Usage

- In industry and repair shops specializing in hydraulic and pneumatic installations
- This wrench helps working on joints where the use of standard ring wrench is impossible due to the nature of the job (ex. unions on steel cables, hydraulic and water pipes and on valves etc).

Technical Data

	Icon	L	A1	A2	B1	B2	C1	C2	Icon	Icon	Icon
612701	8 x 10	145	7	8.5	18	20	6	7	48	4A	10
612702	10 x 11	152	8.5	9	20	22	7	8.5	64	4A	10
612703	11 x 13	165	9	11	22	26	8.5	10	88	4A	10
612704	12 x 14	178	10	12	24	28	9	11	125	4A	10
615147	16 x 18	196	12	12.5	30.5	33.5	13	14	203	4A	10
612705	17 x 19	210	13	14	32	35	14	15	204	4A	10
612706	19 x 22	233	14	16	35	41	15	17	242	4A	10
612707	22 x 24	252	16	17	41	45	17	18	297	4A	5
612708	24 x 27	265	17	17	45	48	18	20	367	4A	5
612709	30 x 32	285	21	23	50	52	22	24	552	4A	5

Packaging data

	Icon	Retail tool packaging				Transport package				
		A	B	C	Icon	Icon	A1	B1	C1	Icon
612701	8 x 10	195	44	10	55	4	62	192	33	227
612702	10 x 11	200	44	10,5	71	4	54	183	49	308
612703	11 x 13	210	44	12,5	95	4	54	183	49	404
612704	12 x 14	220	44	13	132	4	60	222	44	557
615147	16 x 18	260	44	15,3	210	4	64	257	49	883
612705	17 x 19	260	44	15,5	211	4	64	257	49	854
612706	19 x 22	290	44	17,1	249	4	65	288	55	1032
612707	22 x 24	300	58	18,2	310	4	75	308	60	1286
612708	24 x 27	320	58	19,5	380	4	85	337	68	1567
612709	30 x 32	340	58	24,3	565	4	85	377	73	2275