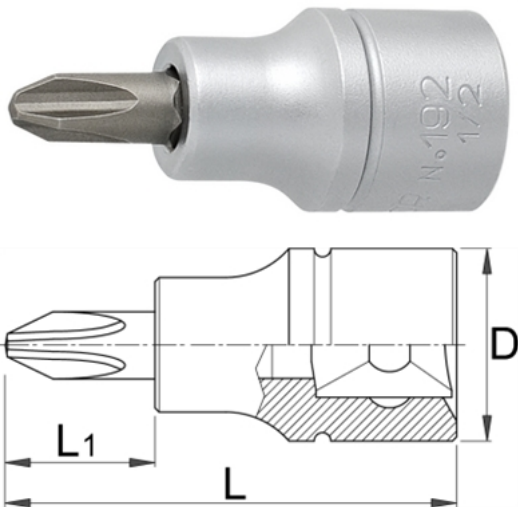


## Crosstip screwdriver socket 1/2" - 192/2PH



### Description

- material: socket: chrome vanadium, chrome plated
- material: bit: special tool steel, anticorrosive oiled
- entirely hardened and tempered

### Technical Data

Barcode	+	D	L	L1	Weight	Hand	Material	Notes
605556	PH 2	22.9	54	18	72	4B	10	-
605557	PH 3	22.9	54	18	75	4B	10	-
605558	PH 4	22.9	57	21	86	4B	10	-

### Packaging data

Barcode	+	Retail tool packaging			Transport package					
		A	B	C	Weight	Hand	A1	B1	C1	Weight
605556	PH 2	125	44	43	77	4	94	150	59	433
605557	PH 3	125	44	43	80	4	94	150	59	445
605558	PH 4	130	44	43	91	4	94	150	59	489