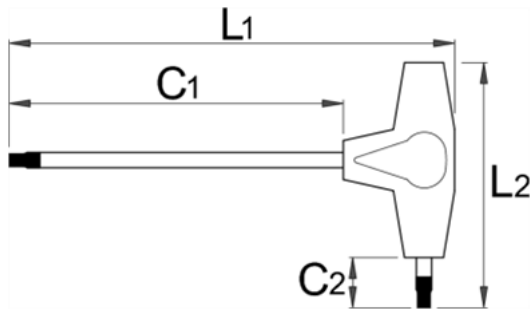


TX profile screwdriver with T-handle - 193TX



Description

- material: blade - chrome vanadium, entirely hardened and tempered
- handle - polypropylene
- blade chrome plated, blacken tip

Technical Data

Barcode	Star	L1	C1	C2	L2	Weight	Material	Blade	Tip
607171	TX 6	155	125	15	61	15	4B	10	-
607172	TX 7	155	125	15	61	15	4B	10	-
607173	TX 8	155	125	15	61	15	4B	10	-
607174	TX 9	155	125	15	61	15	4B	10	-
607175	TX 10	155	125	15	61	15	4B	10	-
607176	TX 15	155	125	15	61	19	4B	10	-
607177	TX 20	155	125	15	61	22	4B	10	-
607178	TX 25	188	150	20	88	46	4B	10	-
607179	TX 27	188	150	20	88	58	4B	10	-
607180	TX 30	188	150	20	88	67	4B	10	-
607181	TX 40	223	175	25	113	118	4B	6	-
607182	TX 45	223	175	25	113	142	4B	6	-

Packaging data

Barcode	Star	Retail tool packaging					Transport package				
		A	B	C	Weight	Volume	A1	B1	C1	Weight	
607171	TX 6	215	61	25	23	4	91	230	62	152	
607172	TX 7	215	61	25	23	4	91	230	62	152	
607173	TX 8	215	61	25	23	4	91	230	62	152	
607174	TX 9	215	61	25	23	4	91	230	62	152	
607175	TX 10	215	61	25	23	4	91	230	62	152	
607176	TX 15	215	61	25	28	4	91	230	62	172	
607177	TX 20	215	61	25	30	4	91	230	62	180	
607178	TX 25	255	88	25	54	4	144	291	39	280	
607179	TX 27	255	88	25	66	4	114	291	39	330	
607180	TX 30	255	88	25	75	4	114	291	39	363	
607181	TX 40	282	113	33	126	4	144	304	78	625	
607182	TX 45	282	113	33	150	4	144	304	78	720	