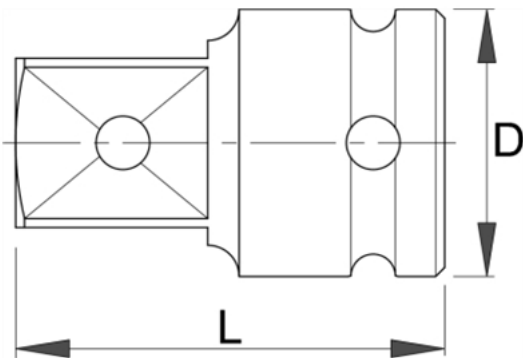


Impact adaptor 1" - 233.7/4



Description

- material: chrome molybdenum
- drop forged, entirely hardened and tempered
- surface finish: phosphated to standard DIN 12476

Technical Data

Barcode	Size	D	L	Weight	Material	Surface	Other
615217	1" - 3/4"	54	75	661	X	1	-
617303	1" - 1.1/2"	54	90.5	1107	X	1	-

Packaging data

Barcode	Size	Retail tool packaging			Transport package				
		A	B	C	Weight	Volume	A1	B1	C1
615217	1" - 3/4"	54	54	75	666	1	-	-	-
617303	1" - 1.1/2"	54	54	90.5	1112	1	-	-	-