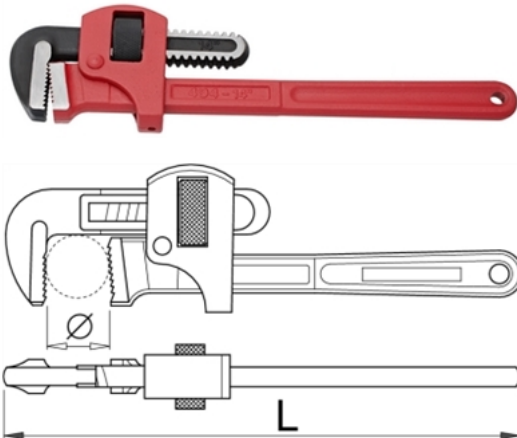


Adjustable pipe wrench - 494/6



Description

- the handle is drop forged from special tool steel
- jaw guide made from special alloy
- working surfaces induction hardened
- teeth ground
- lacquered
-

Usage

- grip, rotation or bolting of round or multi-edged pipes, nuts, and flanges

Technical Data

Barcode	L"	⌀	max	L	Weight	Box	Tools	
619786	8	3/4"	27	200	280	1D	1	-
619787	10	1"	35	250	580	1D	1	-
619788	12	1.1/4"	43	300	780	1D	1	-
619789	14	1.1/2"	50	350	1050	1D	1	-
619790	18	2"	60	450	1808	1D	1	-
619791	24	2.1/2"	76	600	3250	1D	1	-
619792	36	3.1/2"	100	900	6300	1D	1	-

Packaging data

Barcode	L"	Retail tool packaging				Transport package				
		A	B	C	Weight	Volume	A1	B1	C1	Weight
619786	8	185	50	17	280	1	80	240	17	290
619787	10	230	65	29	580	1	300	100	29	590
619788	12	270	76	31,4	780	1	-	-	-	-
619789	14	315	80	32	1050	1	-	-	-	-
619790	18	400	94	37,8	1808	1	-	-	-	-
619791	24	545	115	51	3250	1	-	-	-	-
619792	36	830	140	55	6300	1	-	-	-	-