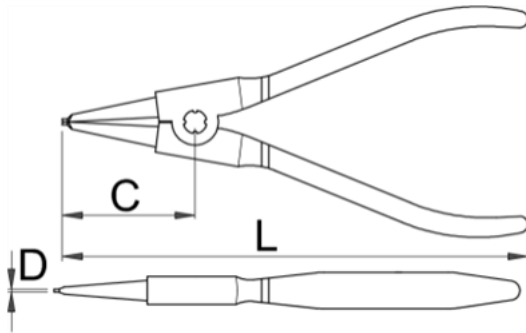


External lock rings pliers, straight - 532PLUS/1DP



Description

- material: special tool steel
- drop forged, entirely hardened and tempered
- head polished
- surface finish: chrome plated to standard EN12540
- tips black finish
- double plastic dipped handles
- made according to standard DIN 5254 form A
-

Advantages:

- 30% higher endurance in comparison to convenient lock rings pliers
- with inserted tips
- for diameter 10 to 100mm
-

Usage

- for fitting circlips on shafts

Technical Data

Barcode	L	C	D	C	Weight	Material	Tip	Tip Length	Tip Width
621187	140	3 - 10	0.9	40	127	4B	10	-	-
621188	140	10 - 25	1.3	40	131	4B	10	-	-
621189	180	19 - 60	1.8	52	209	4B	10	-	-
621190	220	40 - 100	2.2	63	276	4B	5	-	-

Packaging data

Barcode	Retail tool packaging						Transport package			
	L	A	B	C	Weight	Volume	A1	B1	C1	Weight
621187	140	205	58	20	140	4	91	230	62	624
621188	140	210	58	20	140	4	91	230	62	624
621189	180	240	58	20	215	4	75	308	60	920
621190	220	270	58	20	280	4	114	291	39	1183