

Crown race puller

1614/4BI



Usage



Product features

The puller is a tool for quickly and precisely removing the headset crown race from 1", 1-1/8", 1-1/2" or 1-1/4" suspension or rigid front fork. To use, place the puller bush onto the front fork race and fix it by turning the nut. Turn the spindle attached to the steering column to pull the crown race from the fork. The product enables efficient race removal without the use

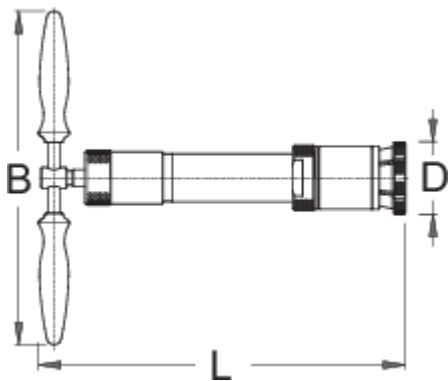
Profiles



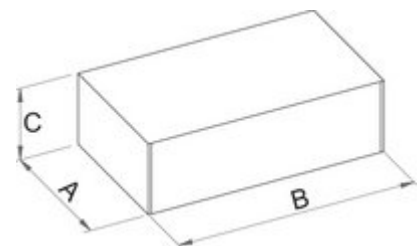
[./eng/support/warranty](/eng/support/warranty).

of a hammer. It is intended for both professionals and enthusiasts.

- material: premium flex plus carbon steel
- surface finish: blacken to standard DIN 50938
- safe to use on aluminum, steel, titanium or carbon steerer tubes
- Compatible with steerer tubes with maximum length of 380 mm
- Collet for every steerer tube size from 1" - 1.1/2"
- The entire system is packed in a custom cutout SOS foam tray, keeping things organized and clean
- Lifetime warranty
- Made in Europe.



Barcode	D	D1	D2	L	B	Icon
626269	1"	1.1/8"	1.1/4" - 1.1/2"	440	320	0



Retail packaging

Barcode	MA	MB	MC	Icon
620195	405	395	60	3580

626269

Transport packaging



TA

TB

TC



620195

1

626269

Spare parts



Spare bushing for 1614/4BI