

# Pro repair clamp, auto adjustable

1693.1



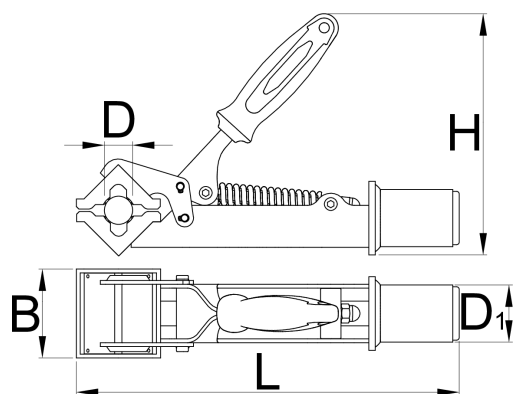
## Profiles



[\(/eng/support/warranty\).](#)

## Product features

- Suitable for tubes with diameter of min. Ø24 mm and max. Ø32 mm.



621472

D↓

24

D↑

32

B

70

H

192

L

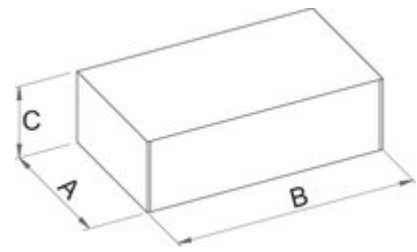
305

D1



45



1600



## Retail packaging

	MB	MC	MA	
621472	310	197	100	3070

## Transport packaging

		TB	TC	TA	
621472	1				

## Spare parts



Replaceable rubber covers for clamp 1693.1, 2 pcs set