

# BikeGator repair stand, quick release

1693AQ



## Profiles

---



[./\(eng/support/warranty\).](#)

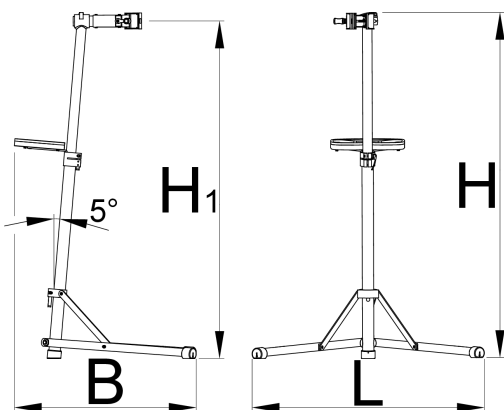
## Product features

- The Bike Gator! The new generation of Unior 1693A(1693AS) bike stand.
- The bike repair stand is the basic working tool both for service workshops and cycling enthusiasts.

- It is easy to assemble and the support tubes are fold together enabling easier transportation between work place.
- Clamp can grip tubes of any shape, with diameter of minimum Ø22mm to maximum Ø60mm.
- Maximum load capacity is 30kg
- Weight of the stand without tool tray is 5.7kg
- Replaceable rubber jaw covers, item 1693.11
- Code 623222 article 1693AS is stand with support tubes and jaw with adjustable nut

### Advantages:

- The stand features a new array of precision aluminum and steel parts which offer stiffness and durability.
- NEW Jaw mount and rotation system.
- improved sliding system
- Stand is adjustable by height between 980 and 1500mm.
- NEW stylish metal tool tray with interchangeable SOS foam insert.



627767	H1 min	H1 max	B	L	H↑	7400
627767	980	1500	870	665	1680	7400

Retail packaging



MA

MB

MC



627767

## Transport packaging



TA

TB

TC



627767

## Spare parts



Pro Shop Clamp



Replaceable rubber covers for clamp 1693.1, 2 pcs set



SOS spare tool tray for 1693.3 tray