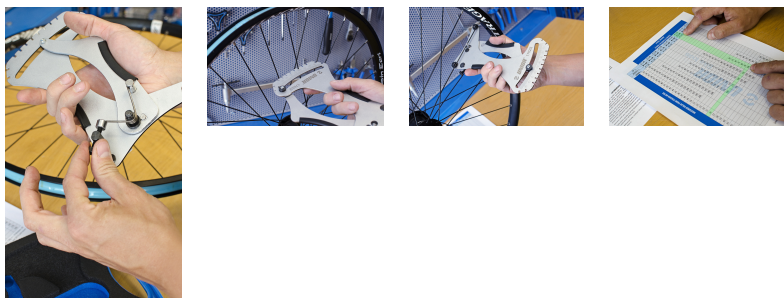


Spoke tension meter

1752/2



Usage



Profiles



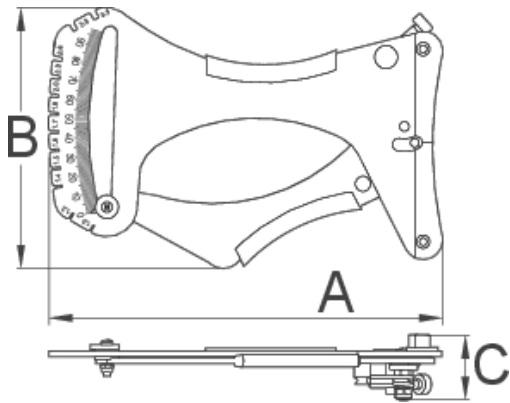
[./\(eng/support/warranty\).](http://uniortools.com/en/support/warranty)

Product features

How to use the tool:

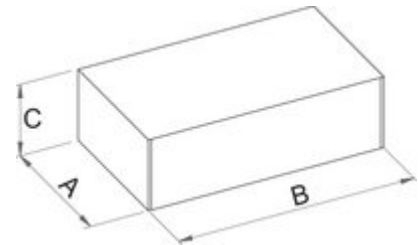
- Unior's universal spoke tension meter measures the spoke tension on any kind of spoke. The analog spoke tension meter arrives calibrated and ready to use. To use, simply press the handle, position the spoke between the two pins and release the handle. The properly designed gauge is easy to read. Measured value, needs to be checked in the spoke information table, from where you read the actual tension, based upon the spoke specification. The printed table is included with the tool, together with more precise usage instructions. Additional included feature on the tool is also a spoke thickness gauge, which helps with the whole process. Simply insert

the spoke in one of the upper openings and read the spoken thickness value.



Barcode	A	B	C	Icon
---------	---	---	---	------

623302	205	130	34	637
--------	-----	-----	----	-----



Retail packaging

Barcode	MA	MB	MC	Icon
---------	----	----	----	------

623302	207	244	44	700
--------	-----	-----	----	-----

Transport packaging

Barcode	Icon	TA	TB	TC	Icon
---------	------	----	----	----	------

623302	1	207	244	44	700
--------	---	-----	-----	----	-----