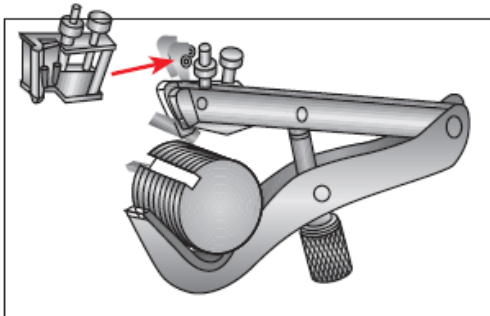


Nes 3 Keyway Skip Accessory

Cat # 03101 for threads finer than 2.5mm or 10 TPI

Cat # 03104 for threads coarser than 2.5mm or 10 TPI



Providing a new dimension to Nes 3, This accessory enables the versatile re-threader to glide over Keyway, Slots, Grooves or channels. For repairing damage threaded shafts with slots for key or tab washer, choose the appropriate addition cutter for best results.

Replacement Blades:

- RK 3 60° 1.0mm 03032
- RK 3 60° 1.25mm 03033
- RK 3 60° 1.5mm 03034
- RK 3 60° 1.75mm 03035
- RK 3 60° 2.0mm 03036
- RK 3 60° 24 TPI 03124
- RK 3 60° 20 TPI 03120
- RK 3 60° 18 TPI 03118
- RK 3 60° 16 TPI 03116
- RK 3 60° 14 TPI 03114

